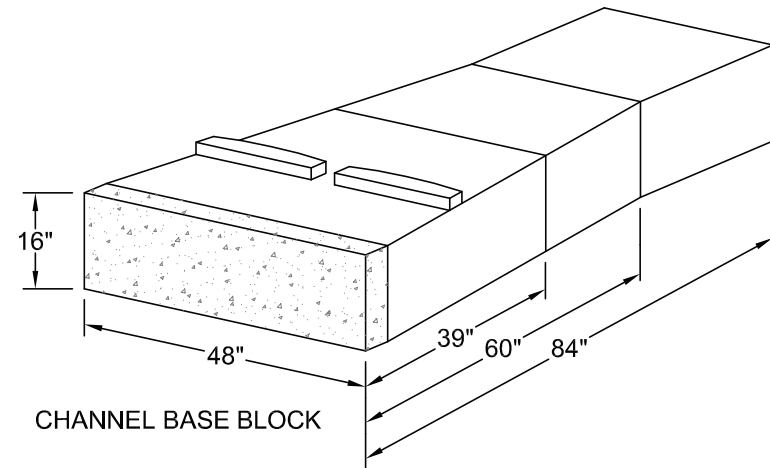
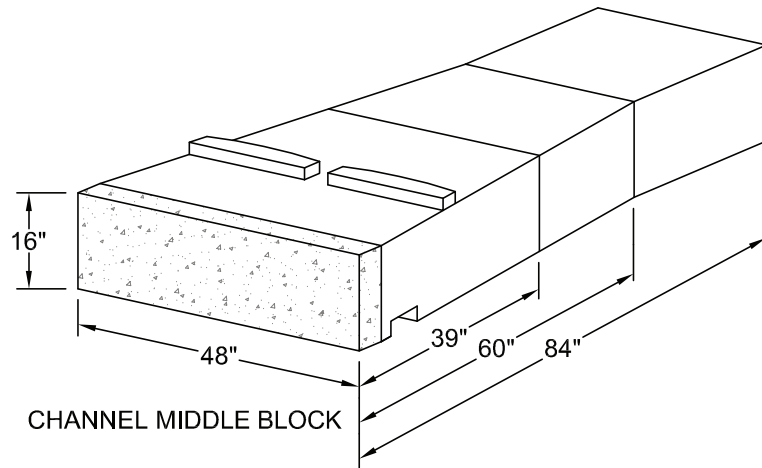


RECON CHANNEL BLOCK LEDGEND	
BLOCK DESCRIPTION	BLOCK ABBREVIATION
39" CHANNEL BASE	39B CHAN
45" CHANNEL BASE	45B CHAN
60" CHANNEL BASE	60B CHAN
66" CHANNEL BASE	66B CHAN
72" CHANNEL BASE	72B CHAN
78" CHANNEL BASE	78B CHAN
84" CHANNEL BASE	84B CHAN
39" CHANNEL MIDDLE	39M CHAN
45" CHANNEL MIDDLE	45M CHAN
60" CHANNEL MIDDLE	60M CHAN
66" CHANNEL MIDDLE	66M CHAN
72" CHANNEL MIDDLE	72M CHAN
78" CHANNEL MIDDLE	78M CHAN
84" CHANNEL MIDDLE	84M CHAN
24" CHANNEL TOP	24T CHAN
39" CHANNEL TOP	39T CHAN



© Copyright 2016 ReCon Wall Systems, Inc. All Rights Reserved

Disclaimer: This drawing has been prepared by ReCon Wall Systems, Inc. and to the best of its knowledge, accurately represents the product use in the application that it is illustrated. This drawing is intended for conceptual purposes only. Anyone making use of this drawing does so at their own risk and assumes all liability for such use. Final design for construction purposes must be completed by a Registered Professional Engineer who is familiar with the product and who has taken into account specific site conditions.

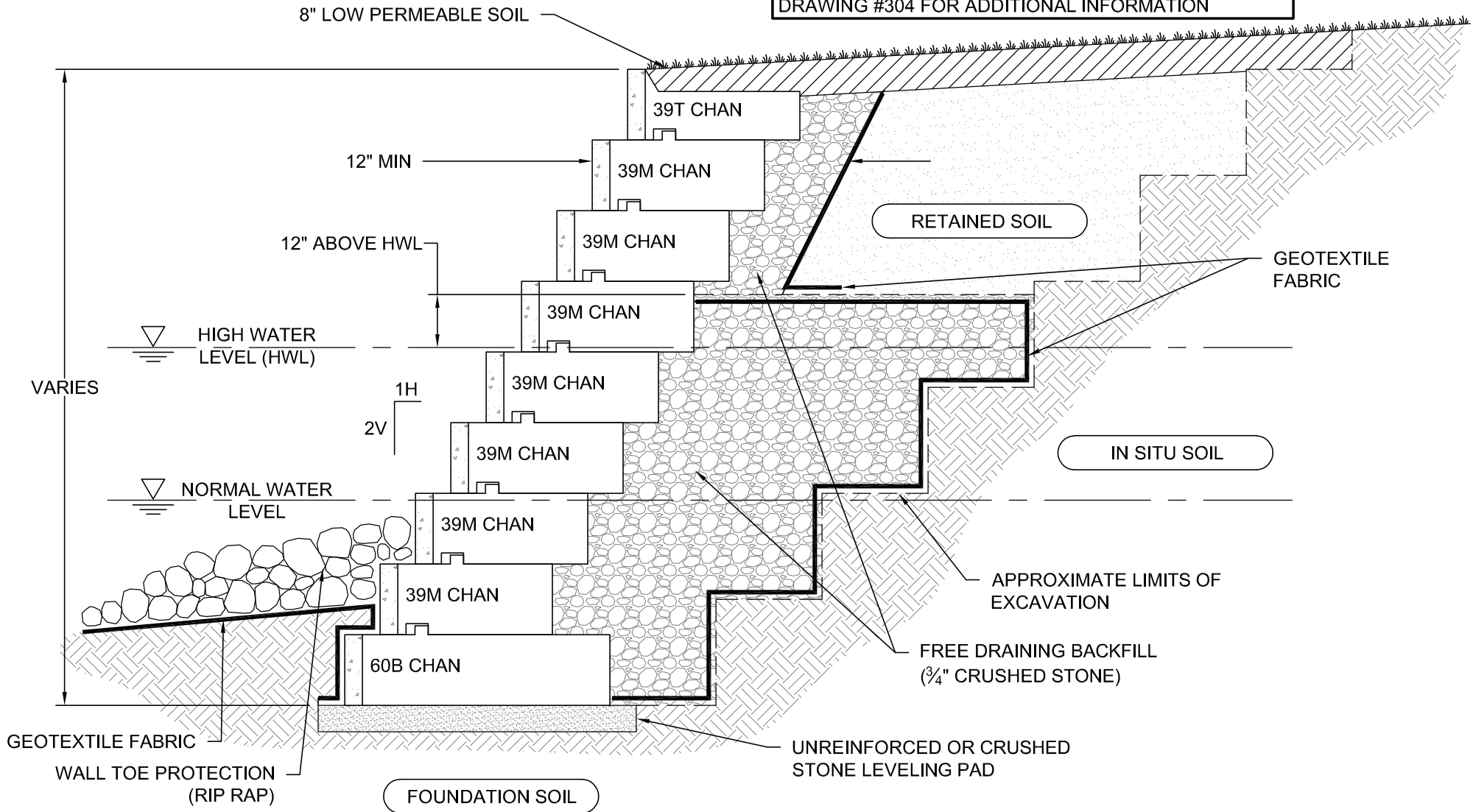


DRAWING #801

## CHANNEL BLOCK TYPES

RECON WALL SYSTEMS, INC.  
 7600 W. 27th STREET, #229  
 ST. LOUIS PARK, MN 55426  
 952-922-0027  
[www.reconwalls.com](http://www.reconwalls.com)

FINISHED GRADE AT TOP OF WALL SHALL BE DESIGNED FOR PROPER DRAINAGE TO PREVENT PONDING. SEE DRAWING #304 FOR ADDITIONAL INFORMATION



© Copyright 2016 ReCon Wall Systems, Inc. All Rights Reserved

Disclaimer: This drawing has been prepared by ReCon Wall Systems, Inc. and to the best of its knowledge, accurately represents the product use in the application that it is illustrated. This drawing is intended for conceptual purposes only. Anyone making use of this drawing does so at their own risk and assumes all liability for such use. Final design for construction purposes must be completed by a Registered Professional Engineer who is familiar with the product and who has taken into account specific site conditions.



DRAWING #802

TYPICAL CHANNEL BLOCK GRAVITY CROSS SECTION

RECON WALL SYSTEMS, INC.  
 7600 W. 27th STREET, #229  
 ST. LOUIS PARK, MN 55426  
 952-922-0027  
 www.reconwalls.com