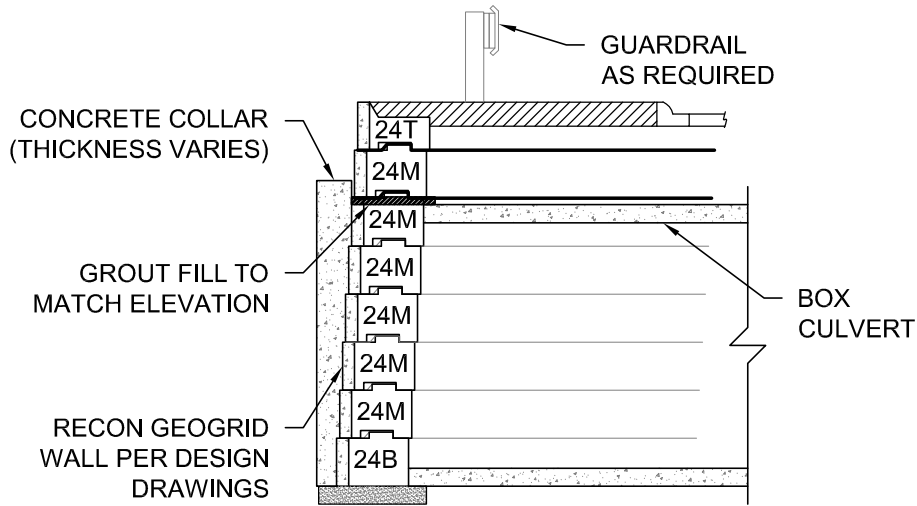
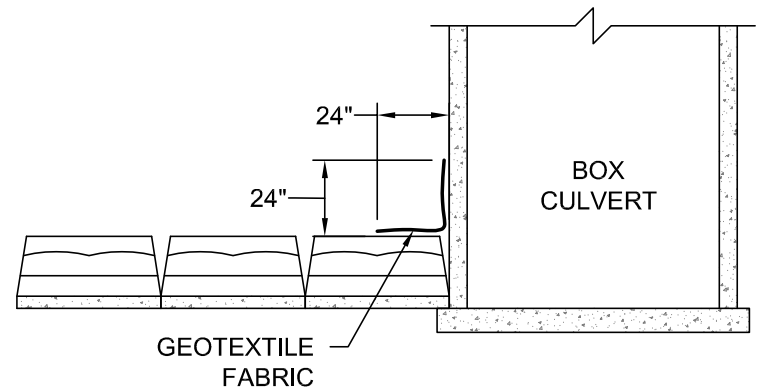


PARTIAL WALL PROFILE



WALL SECTION



PARTIAL WALL PLAN

© Copyright 2016 ReCon Wall Systems, Inc. All Rights Reserved

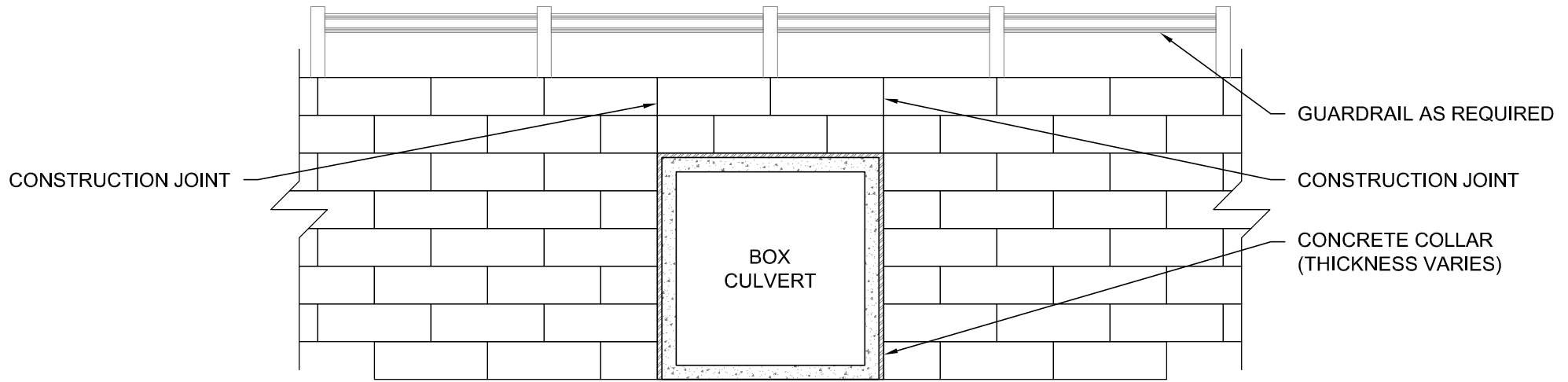
Disclaimer: This drawing has been prepared by ReCon Wall Systems, Inc. and to the best of its knowledge, accurately represents the product use in the application that it is illustrated. This drawing is intended for conceptual purposes only. Anyone making use of this drawing does so at their own risk and assumes all liability for such use. Final design for construction purposes must be completed by a Registered Professional Engineer who is familiar with the product and who has taken into account specific site conditions.



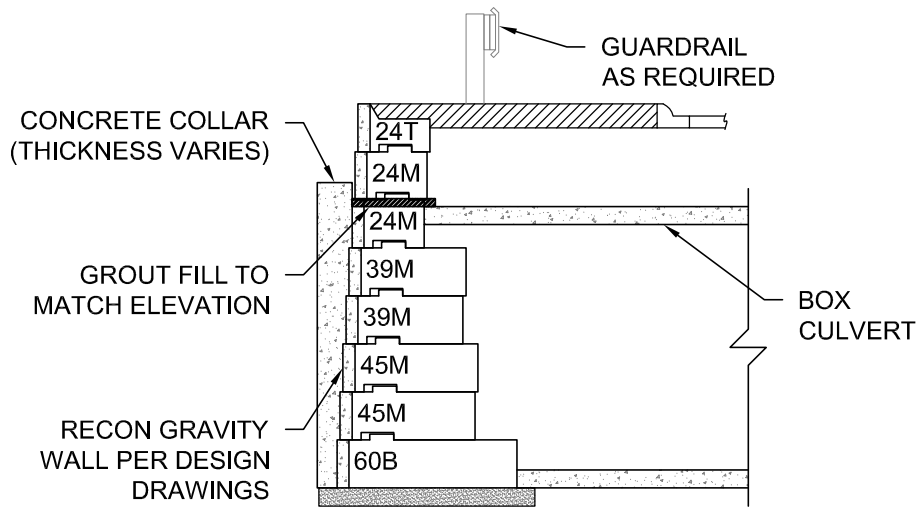
DRAWING #601

**BOX CULVERT HEADWALL
GEOGRID WALL**

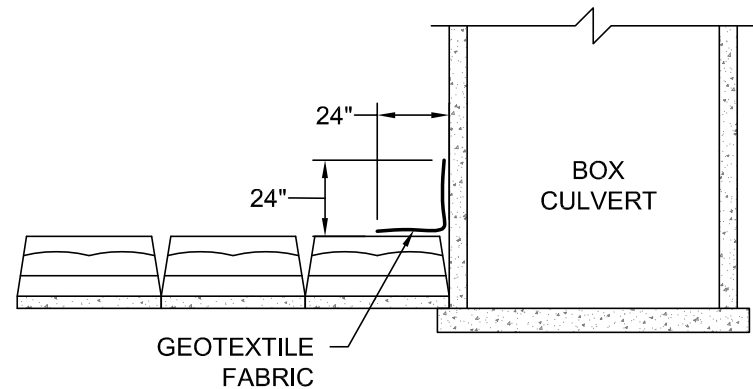
RECON WALL SYSTEMS, INC.
7600 W. 27th STREET, #229
ST. LOUIS PARK, MN 55426
952-922-0027
www.reconwalls.com



PARTIAL WALL PROFILE



WALL SECTION



PARTIAL WALL PLAN

© Copyright 2016 ReCon Wall Systems, Inc. All Rights Reserved

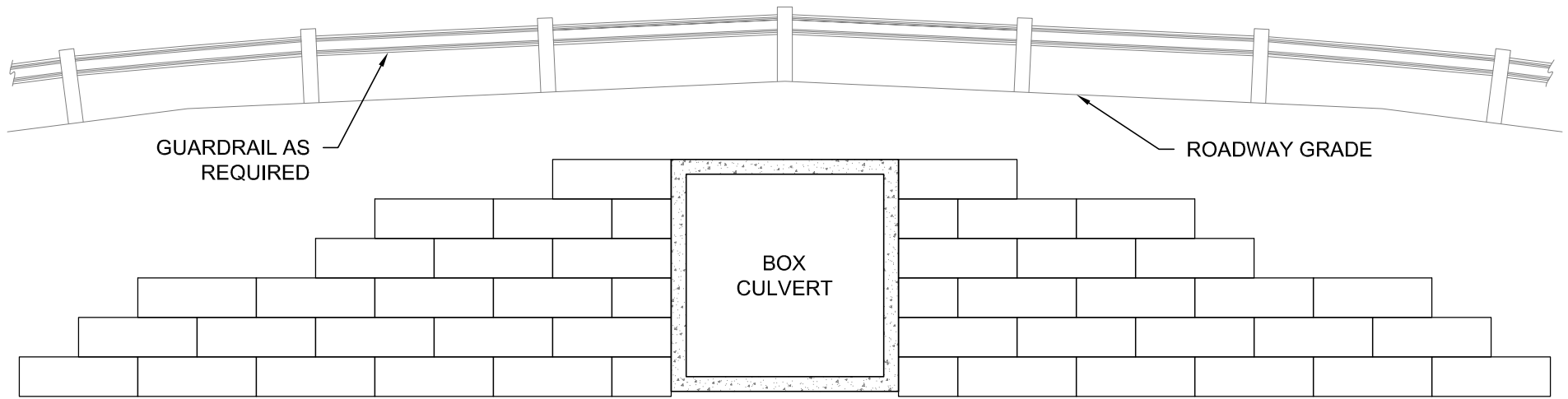
Disclaimer: This drawing has been prepared by ReCon Wall Systems, Inc. and to the best of its knowledge, accurately represents the product use in the application that it is illustrated. This drawing is intended for conceptual purposes only. Anyone making use of this drawing does so at their own risk and assumes all liability for such use. Final design for construction purposes must be completed by a Registered Professional Engineer who is familiar with the product and who has taken into account specific site conditions.



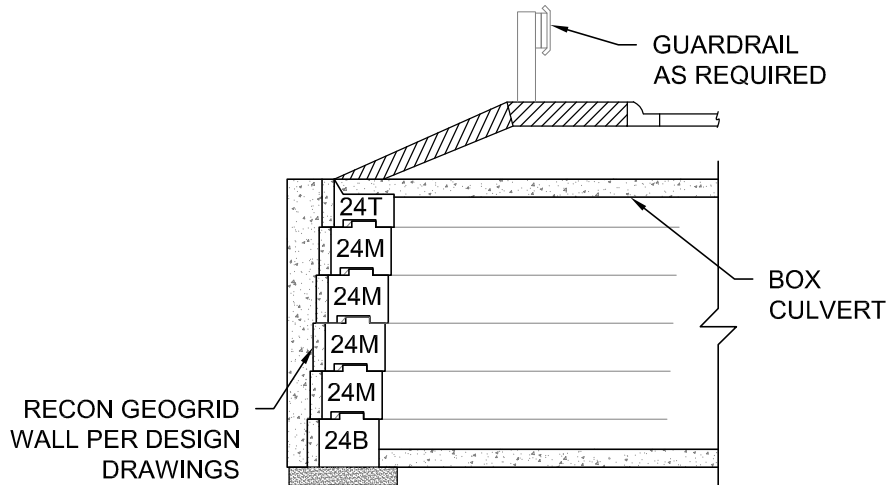
DRAWING #602

**BOX CULVERT HEADWALL
GRAVITY WALL**

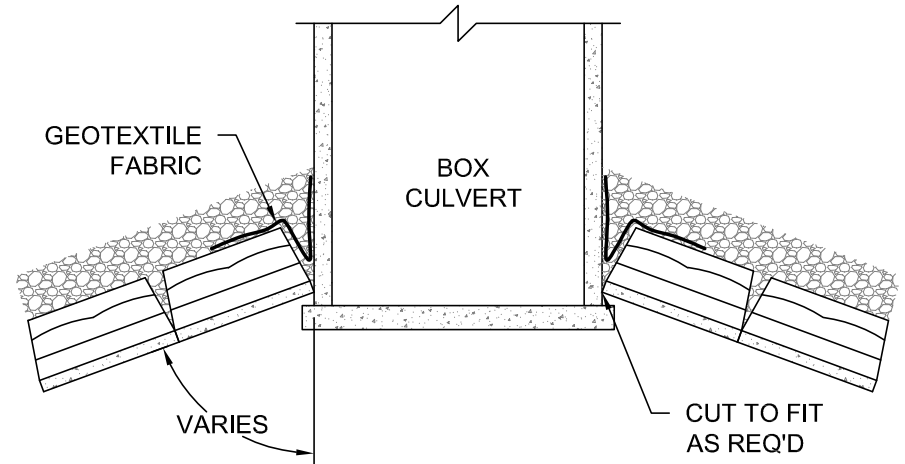
RECON WALL SYSTEMS, INC.
7600 W. 27th STREET, #229
ST. LOUIS PARK, MN 55426
952-922-0027
www.reconwalls.com



PARTIAL WALL PROFILE



WALL SECTION



PARTIAL WALL PLAN

© Copyright 2016 ReCon Wall Systems, Inc. All Rights Reserved

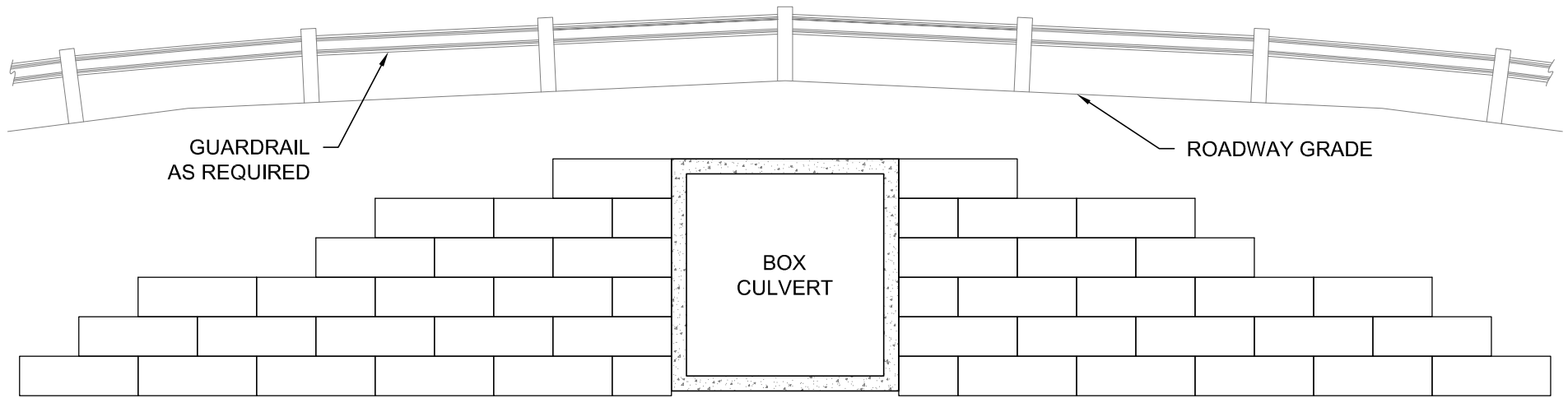
Disclaimer: This drawing has been prepared by ReCon Wall Systems, Inc. and to the best of its knowledge, accurately represents the product use in the application that it is illustrated. This drawing is intended for conceptual purposes only. Anyone making use of this drawing does so at their own risk and assumes all liability for such use. Final design for construction purposes must be completed by a Registered Professional Engineer who is familiar with the product and who has taken into account specific site conditions.



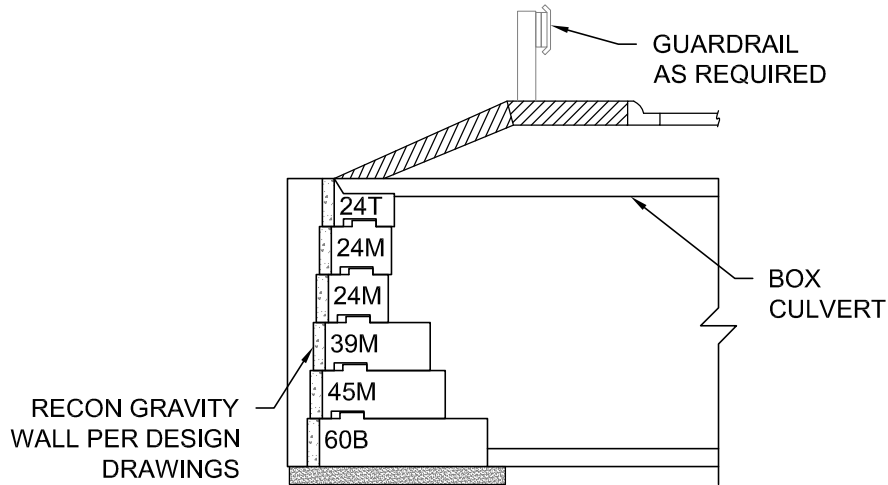
DRAWING #603

**BOX CULVERT WING WALL
GEOGRID WALL**

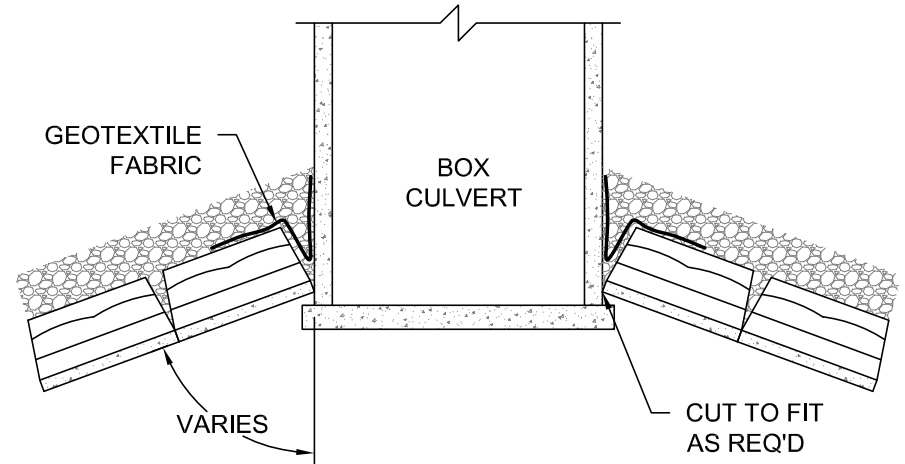
RECON WALL SYSTEMS, INC.
7600 W. 27th STREET, #229
ST. LOUIS PARK, MN 55426
952-922-0027
www.reconwalls.com



PARTIAL WALL PROFILE



WALL SECTION



PARTIAL WALL PLAN

© Copyright 2016 ReCon Wall Systems, Inc. All Rights Reserved

Disclaimer: This drawing has been prepared by ReCon Wall Systems, Inc. and to the best of its knowledge, accurately represents the product use in the application that it is illustrated. This drawing is intended for conceptual purposes only. Anyone making use of this drawing does so at their own risk and assumes all liability for such use. Final design for construction purposes must be completed by a Registered Professional Engineer who is familiar with the product and who has taken into account specific site conditions.



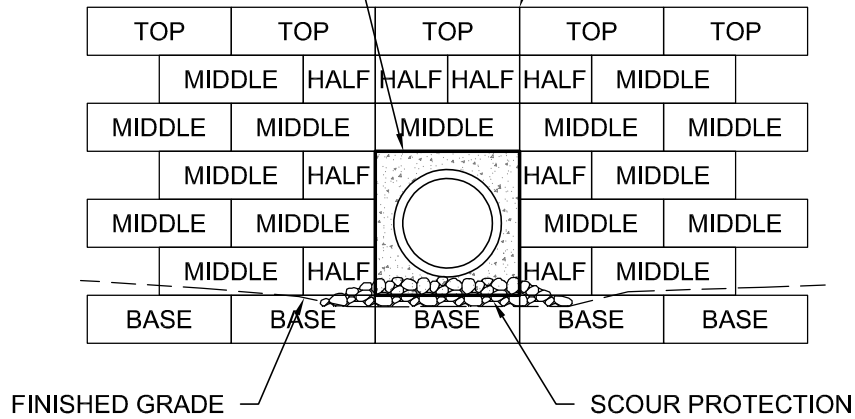
DRAWING #604

BOX CULVERT WING WALL GRAVITY WALL

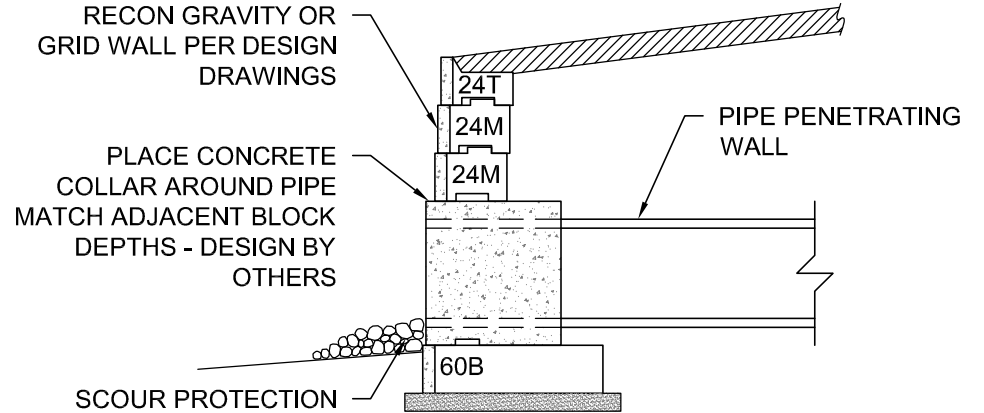
RECON WALL SYSTEMS, INC.
 7600 W. 27th STREET, #229
 ST. LOUIS PARK, MN 55426
 952-922-0027
www.reconwalls.com

PLACE CONCRETE COLLAR AROUND PIPE w/ BOND BREAKER BETWEEN BLOCK AND COLLAR

VERTICAL CONSTRUCTION JOINT, TYP.



PARTIAL WALL PROFILE



WALL SECTION

© Copyright 2016 ReCon Wall Systems, Inc. All Rights Reserved

Disclaimer: This drawing has been prepared by ReCon Wall Systems, Inc. and to the best of its knowledge, accurately represents the product use in the application that it is illustrated. This drawing is intended for conceptual purposes only. Anyone making use of this drawing does so at their own risk and assumes all liability for such use. Final design for construction purposes must be completed by a Registered Professional Engineer who is familiar with the product and who has taken into account specific site conditions.



DRAWING #605

PIPE PENETRATING WALL FACE

RECON WALL SYSTEMS, INC.
7600 W. 27th STREET, #229
ST. LOUIS PARK, MN 55426
952-922-0027
www.reconwalls.com