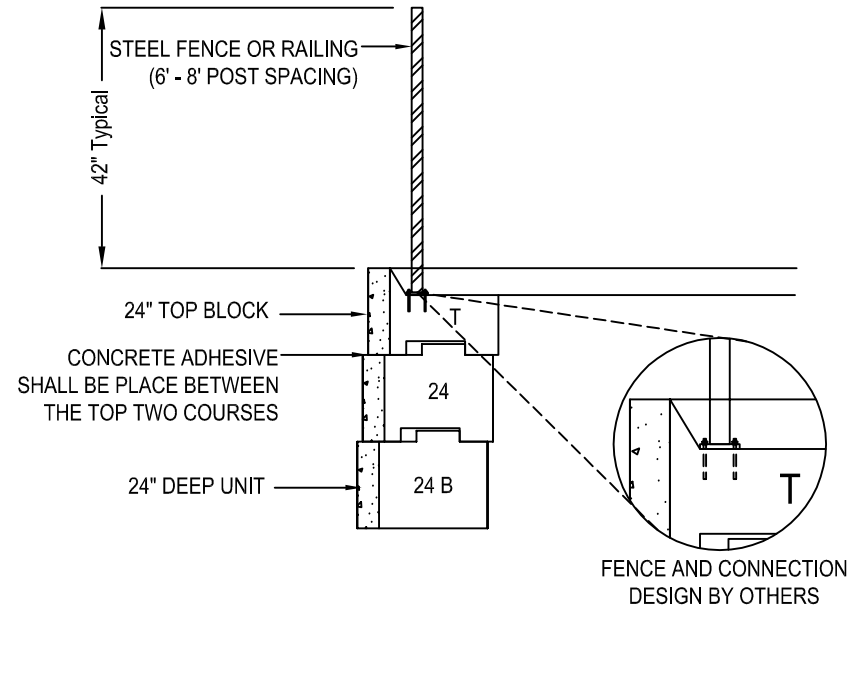


FENCE SECTION DETAIL
 PRECAST FENCE POST HOLES



FENCE SECTION DETAIL
 PLATE AND ANCHOR BOLTS

NOTE:
 1. WHEN THE FENCE POST IS PLACED IN OR ON TOP OF THE TOP BLOCK, EACH TOP BLOCK SHOULD BE ADHERED TO THE BLOCK BENEATH IT. (PL PREMIUM IS THE RECOMMENDED CONCRETE ADHESIVE)
 2. DETAIL DOES NOT APPLY TO PRIVACY FENCING OR OTHER APPLICATIONS WHERE WIND LOAD WOULD NEED TO BE TAKEN INTO ACCOUNT

Copyright 2008 ReCon Wall Systems, Inc.

Design is for internal stability of the RECON wall structure only. External stability, including but not limited to foundation and slope stability is the responsibility of the Owner. The design is based on the assumption that the materials within the retained mass, methods of construction, and quality of materials conform to RECON's specification for this project.

Disclaimer: This drawing was prepared by ReCon Wall Systems, Inc. and to the best of our knowledge, accurately represents the product use in the application that is illustrated. This drawing is for conceptual, instructional, and estimating purposes only. Anyone making use of this drawing does so at their own risk and assumes all liability for such use. Final design for construction purposes must be done by a registered professional engineer who is familiar with the product and who has taken into account the specific site conditions.



DRAWING # 114

TYPICAL FENCE DETAIL

RECON WALL SYSTEMS, INC
 7600 WEST 27TH STREET, #229
 ST LOUIS PARK, MN 55426
 PH: 952-922-0027
 www.reconwalls.com