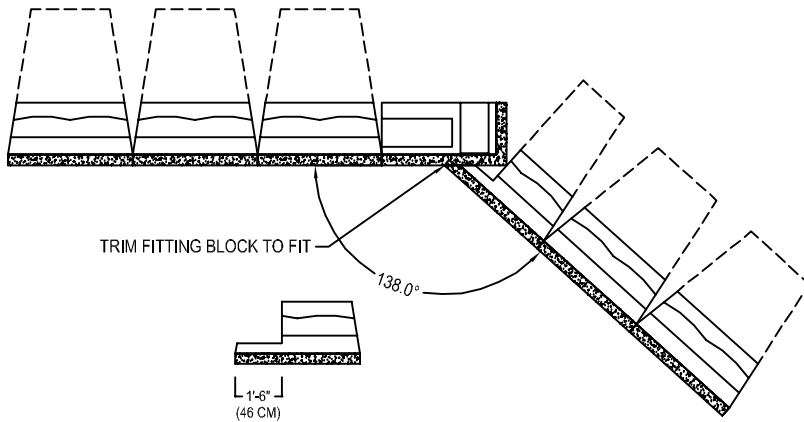
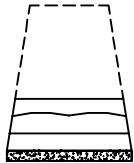
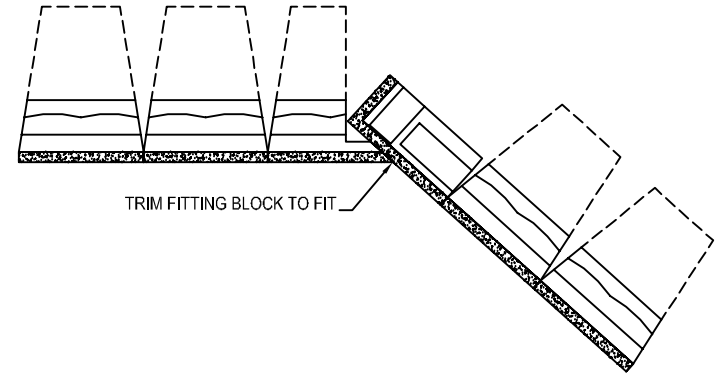


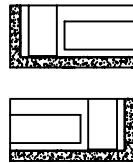
ODD ROW



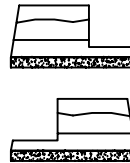
EVEN ROW



REGULAR BLOCK (DEPTH AS SPECIFIED BY ENGINEER)



UNIVERSAL CORNER BLOCK



FITTING BLOCK (LEFT OR RIGHT) SPECIAL

A MAXIMUM ANGLE OF 138 DEGREES IS BASED ON A FITTING BLOCK RECESS OF 18" (46 CM) FROM THE OUTSIDE OF THE BLOCK. IF A GREATER ANGLE IS REQUIRED, THEN EITHER (A) THE RECESS ON THE FITTING BLOCK MUST BE INCREASED OR (B) SOME LOSS OF RUNNING BOND AT THE CORNER MUST BE ACCEPTABLE.

Copyright 2011 ReCon Wall Systems, Inc.

Disclaimer: This drawing was prepared by ReCon Wall Systems, Inc. and to the best of our knowledge, accurately represents the product use in the application that is illustrated. This drawing is intended for conceptual purposes only. Anyone making use of this drawing does so at their own risk and assumes all liability for such use. Final design for construction purposes must be done by a registered professional engineer who is familiar with the product and who has taken into account the specific site conditions.



DRAWING # 122

TYPICAL OBLIQUE INSIDE CORNER  
DETAIL - SPECIAL

RECON WALL SYSTEMS, INC  
7600 WEST 27TH STREET, #229  
ST LOUIS PARK, MN 55426  
PH: 952-922-0027  
www.reconwalls.com