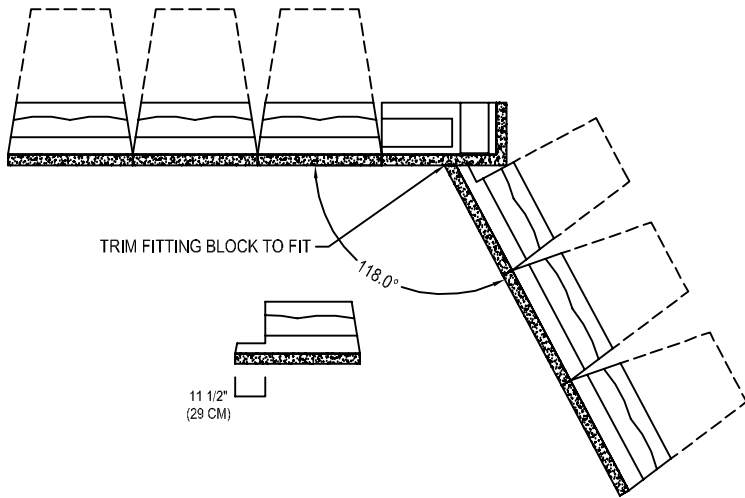
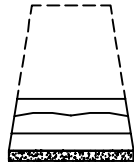
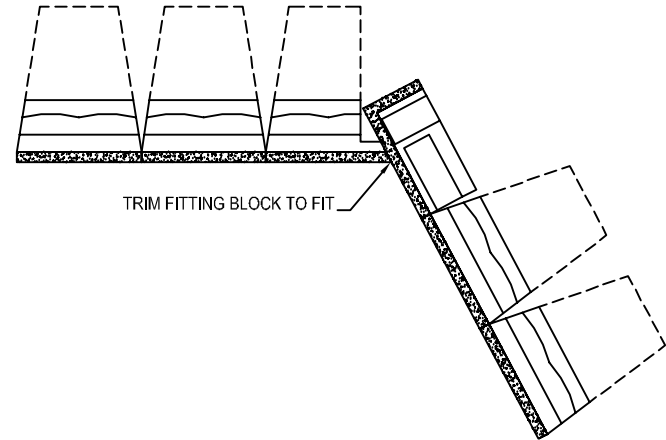


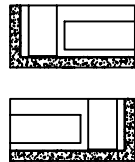
ODD ROW



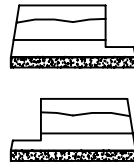
EVEN ROW



REGULAR BLOCK (DEPTH AS SPECIFIED BY ENGINEER)



UNIVERSAL CORNER BLOCK



FITTING BLOCK (LEFT OR RIGHT) STANDARD

A MAXIMUM ANGLE OF 118 DEGREES IS BASED ON A FITTING BLOCK RECESS OF 11.5" (29 CM) FROM THE OUTSIDE OF THE BLOCK. IF A GREATER ANGLE IS REQUIRED, THEN EITHER (A) THE RECESS ON THE FITTING BLOCK MUST BE INCREASED OR (B) SOME LOSS OF RUNNING BOND AT THE CORNER MUST BE ACCEPTABLE.

Copyright 2011 ReCon Wall Systems, Inc.

Disclaimer: This drawing was prepared by ReCon Wall Systems, Inc. and to the best of our knowledge, accurately represents the product use in the application that is illustrated. This drawing is intended for conceptual purposes only. Anyone making use of this drawing does so at their own risk and assumes all liability for such use. Final design for construction purposes must be done by a registered professional engineer who is familiar with the product and who has taken into account the specific site conditions.



DRAWING # 121

TYPICAL OBLIQUE INSIDE CORNER
DETAIL - STANDARD

RECON WALL SYSTEMS, INC
7600 WEST 27TH STREET, #229
ST LOUIS PARK, MN 55426
PH: 952-922-0027
www.reconwalls.com