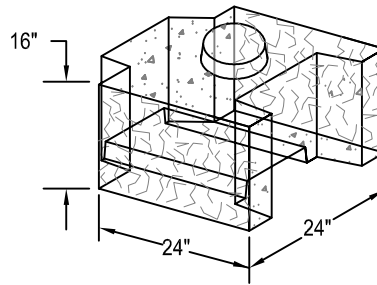
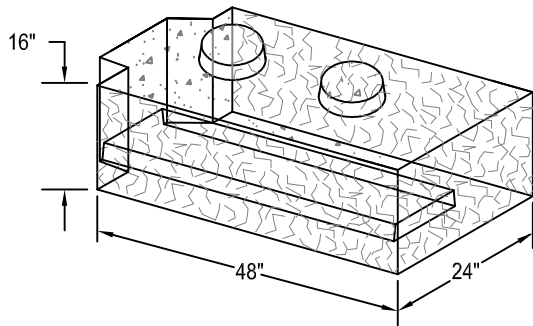


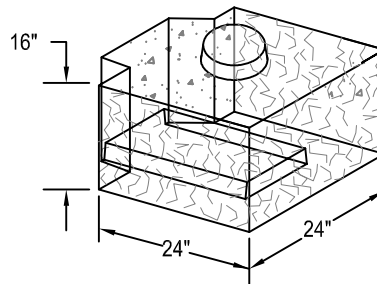
**FULL FENCE BLOCK**  
(Free Standing with texture on both sides)



**HALF FENCE BLOCK**  
(Free Standing with texture on both sides)

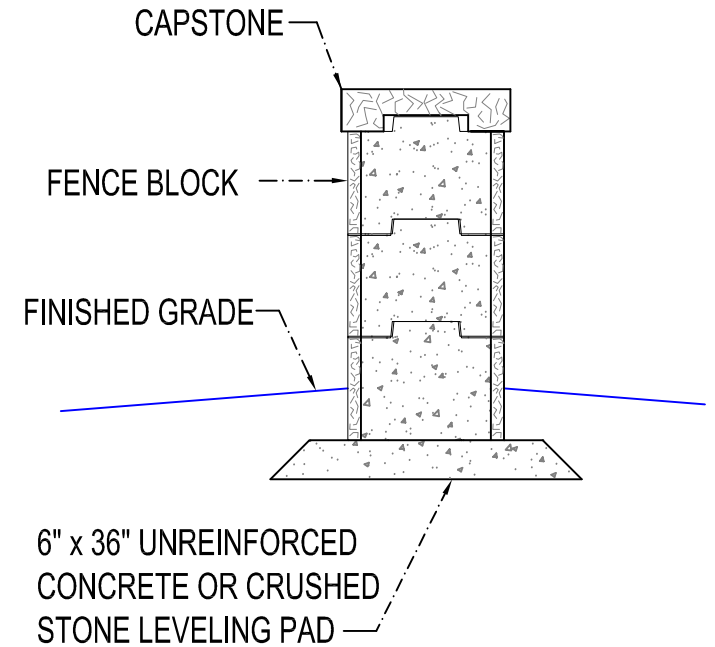


**FENCE END BLOCK**  
(Specify whether "male" or "female" end of block should be preserved. Shown above with "male" end preserved).



**HALF FENCE END BLOCK**  
(Specify whether "male" or "female" end of block should be preserved. Shown above with "male" end preserved).

**BOTTOM FENCE BLOCK**  
(Same as Full Fence Block with no groove on bottom)



**FENCE BLOCK AND CAPSTONE**  
Typical Cross Section

**NOTE:** See Fence Block Specifications and Installation Instructions for essential engineering and construction requirements.

Copyright 2008 ReCon Wall Systems, Inc.

Design is for internal stability of the RECON wall structure only. External stability, including but not limited to foundation and slope stability is the responsibility of the Owner. The design is based on the assumption that the materials within the retained mass, methods of construction, and quality of materials conform to RECON's specification for this project.

Disclaimer: This drawing was prepared by ReCon Wall Systems, Inc. and to the best of our knowledge, accurately represents the product use in the application that is illustrated. This drawing is for conceptual, instructional, and estimating purposes only. Anyone making use of this drawing does so at their own risk and assumes all liability for such use. Final design for construction purposes must be done by a registered professional engineer who is familiar with the product and who has taken into account the specific site conditions.



**DRAWING # 300**

**FENCE BLOCK**

**RECON WALL SYSTEMS, INC**  
7600 WEST 27TH STREET, #229  
ST LOUIS PARK, MN 55426  
PH: 952-922-0027  
[www.reconwalls.com](http://www.reconwalls.com)